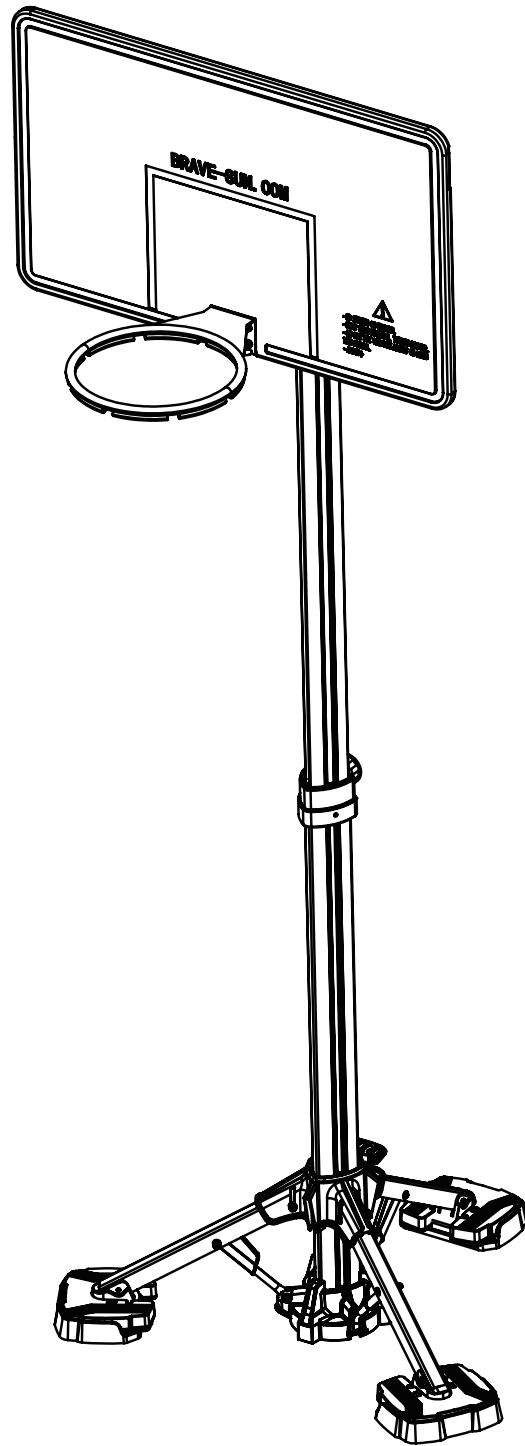


BRAVE-SUN HOME BASKETBALL SYSTEM 1.0

Owner's Manual



CONTACT EMAIL:

SUPPORT@BRAVE-SUN.COM

WARNING

READ AND UNDERSTAND THE OPERATOR'S MANUAL BEFORE USING THIS UNIT. FAILURE TO FOLLOW THE OPERATING INSTRUCTIONS COULD RESULT IN INJURY OR DAMAGE TO PROPERTY.

⚠ WARNING ⚠

IMPORTANT SAFETY INSTRUCTIONS

READ ALL INSTRUCTIONS BEFORE USING THE BASKETBALL SYSTEM.

FAILURE TO FOLLOW THESE SAFETY INSTRUCTIONS MAY RESULT IN SERIOUS INJURY, PROPERTY DAMAGE AND WILL VOID WARRANTY.

OWNERS MUST ENSURE THAT ALL PLAYERS KNOW AND FOLLOW THESE RULES FOR SAFE OPERATION OF THE SYSTEM.

- DO NOT DUNK OR HANG ON THE SYSTEM.**
- KEEP SAFE DISTANCE FROM THE SYSTEM. (3FT OR 1M DUE TO TRIPPING HAZARD)**
- DO NOT ALLOW CHILDREN TO MOVE OR ADJUST THE SYSTEM.**
- PROPERLY SECURE ALL MOVING PARTS BEFORE AND AFTER ADJUSTING OR MOVING THE SYSTEM.**
- WHEN ADJUSTING HEIGHT OR MOVING THE SYSTEM, KEEP HANDS AND FINGERS AWAY FROM MOVING PARTS.**
- FOR PRIVATE, INDOOR AND FLAT SURFACE USE ONLY.**
- STOP USING THE BALL WHEN IT IS DAMAGED.**
- FOR AGE 10+.**
- CHECK THE SYSTEM BEFORE EACH USE FOR INSTABILITY.**
- NEVER PLAY ON DAMAGED SYSTEM.**

⚠ NOTICE ⚠

- **Adult assembly required.**
- Dispose of **ALL** packaging materials promptly.
- As with all products, periodically inspect for loose, small parts.
- **ALL** basketball systems, including those used for **DISPLAYS**, **MUST** be assembled and installed according to instructions.
- Failure to follow instructions could result in **SERIOUS INJURY**.
- It is **NOT** acceptable to devise a makeshift support system.

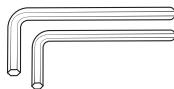
Tools & Materials for Assembly



2 Capable Adults


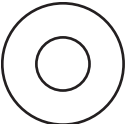




Safety Glasses



Hex wrench
4mm, 6mm


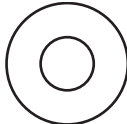

1. Board/Rim/Neck

			
Hex screw M6x40*4pcs	Washer 13x6.5x1*4pcs	Grower washer M6 *4pcs	Nylon nut M6x1*4pcs

2. Pole connector

	
Hex *1pc	Hex nut M16x1.5P *1pc



3. Neck

		
Hex screw M6x20 *1pc	Washer 13x6.5x1 *1pc	Nylon nut M6x1 *1pc

4. Weight plate base

	
Hex rivet M4x35 *3pcs	Hex screw M4x10 *3pcs

5. Base

	
Hex screw M6x20 *2pcs	Grower washer M6 *6pcs

⚠ WARNING ⚠

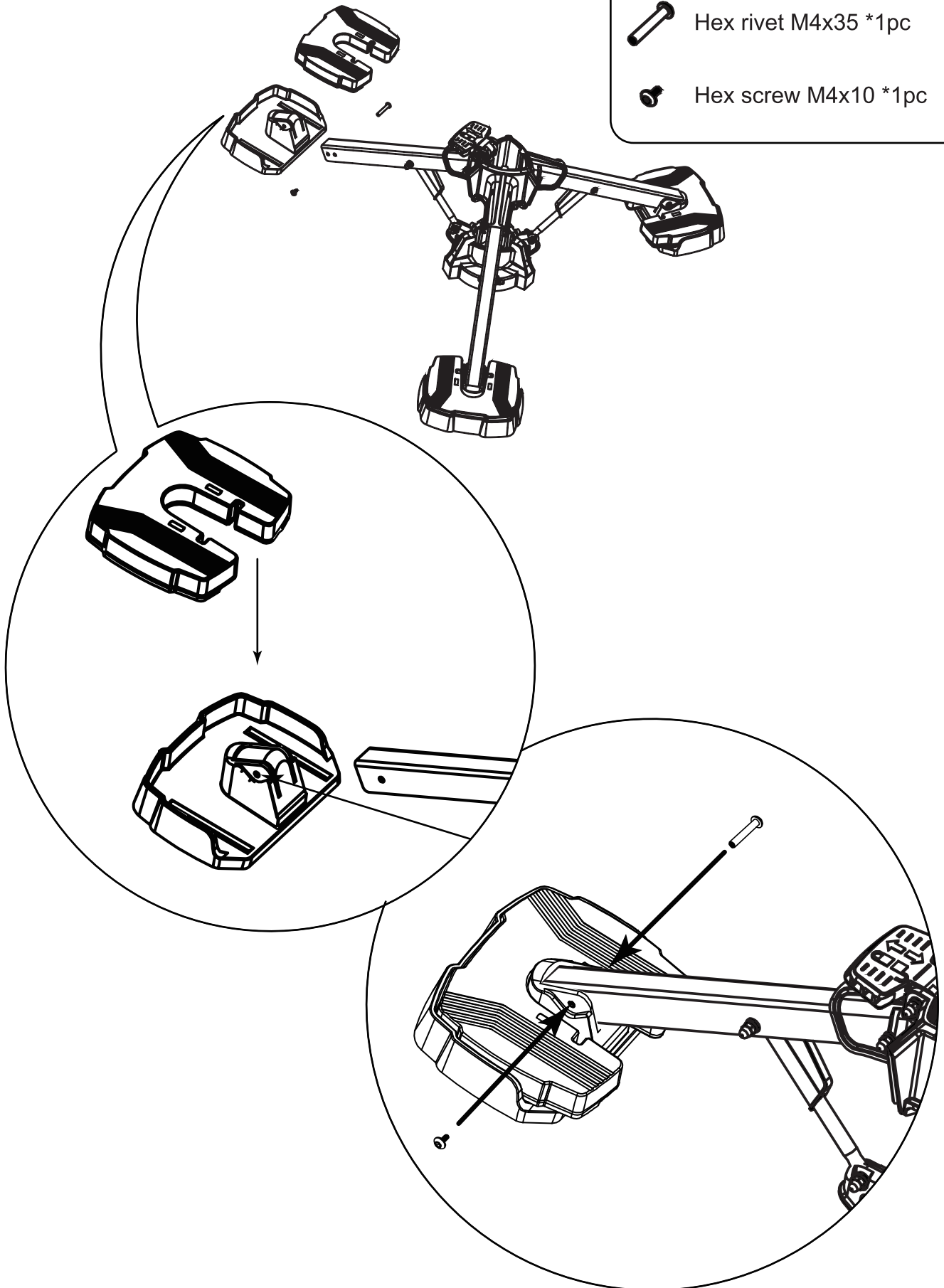
For parts that are pre-assembled in the factory. CHECK THE PRE-ASSEMBLED AREAS FOR TIGHTNESS.
If any parts are missing or damaged please contact our customer service department to receive replacement parts
(see customer service information).



Hex rivet M4x35 *1pc

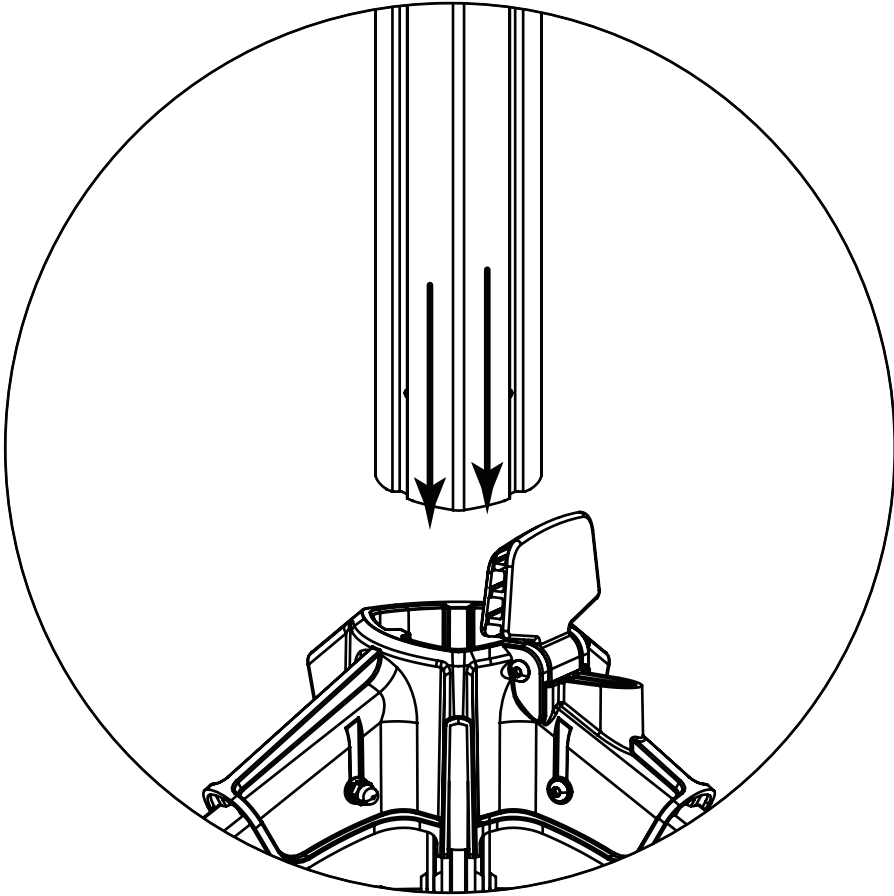


Hex screw M4x10 *1pc

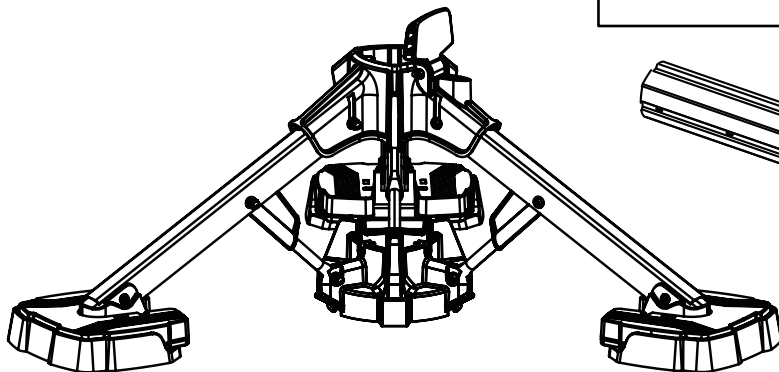


⚠ WARNING ⚠

TWO PEOPLE ARE REQUIRED FOR THIS PROCEDURE. FAILURE TO FOLLOW THIS WARNING COULD RESULT IN SERIOUS INJURY AND/OR PROPERTY DAMAGE



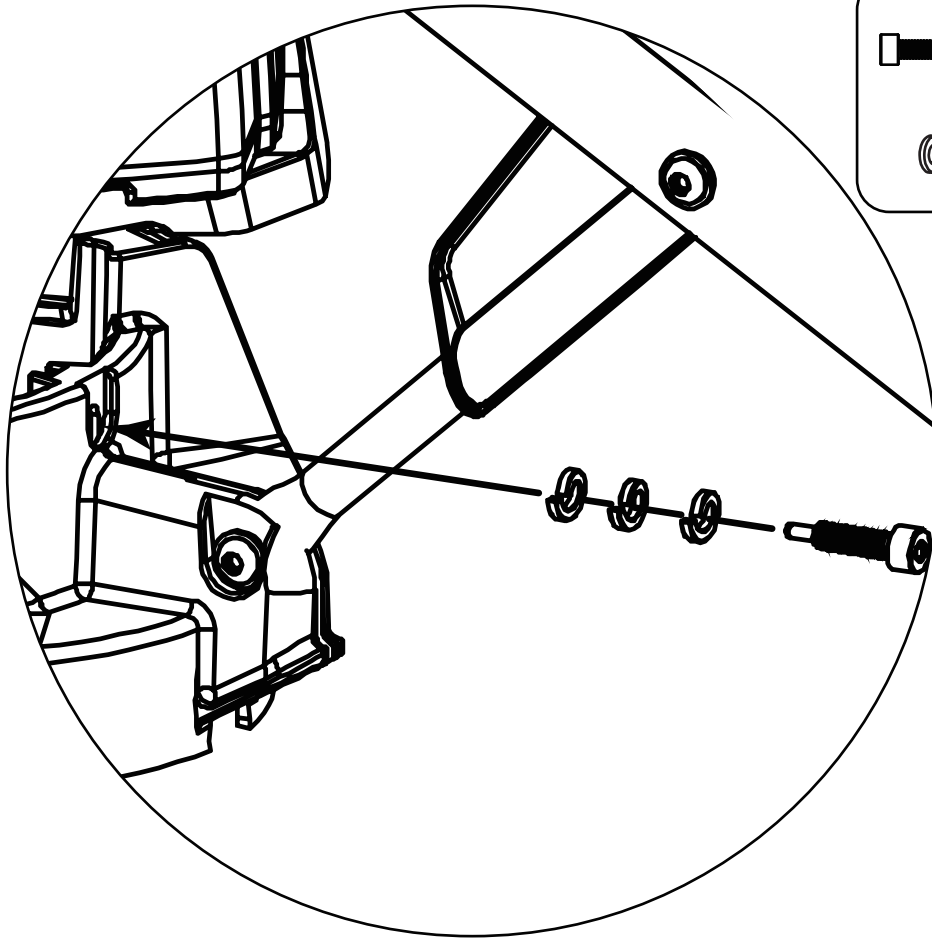
Remove inner pole before installing outer pole!





⚠ WARNING ⚠

TIGHTEN THE SCREW IN THE BASE.

***There are 2 Hex screws at the base, make sure to tighten them both!**

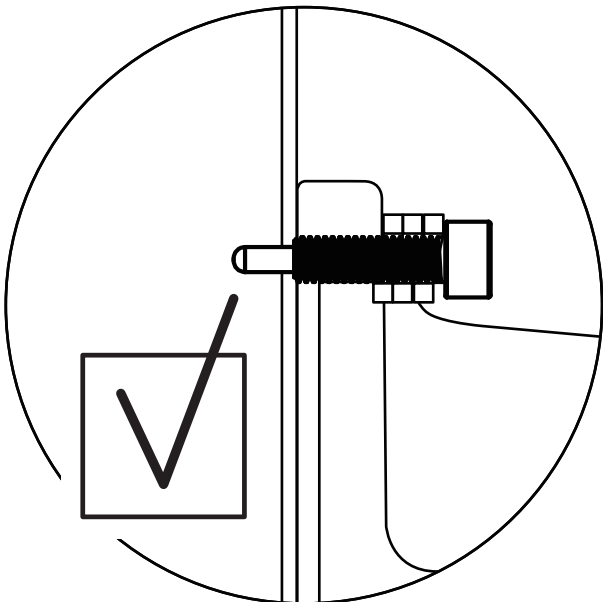


-  Hex screw M6x20 *1pc
-  Grower washer M6 *3pcs

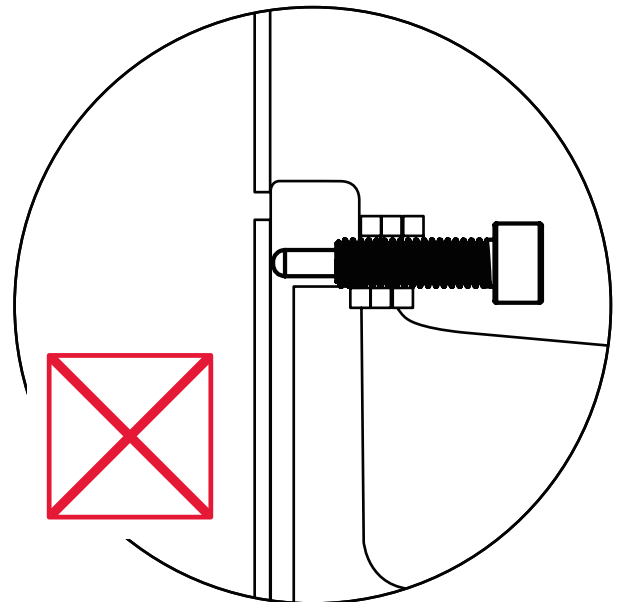
Base screw and nut video tutorial link:

<https://t.ly/vSVMz>

Can also be found in the FAQ section on our website



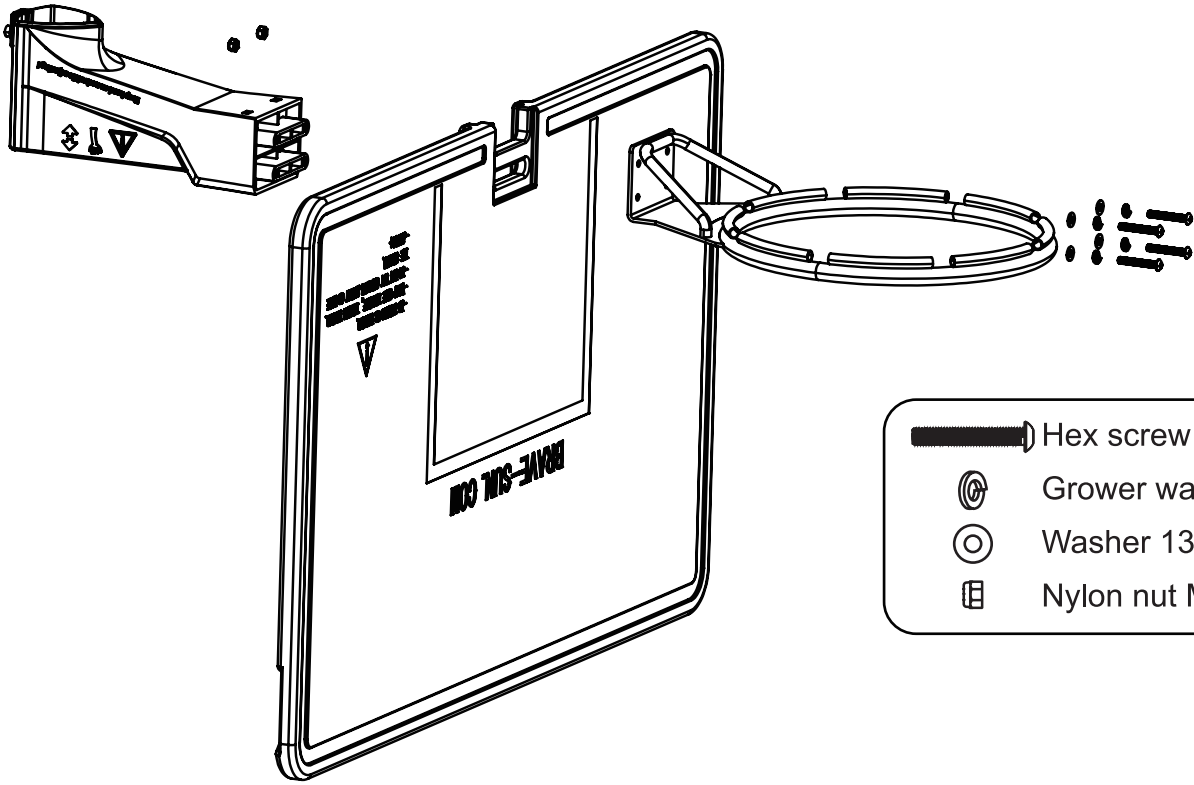
OK




NG


⚠ WARNING ⚠


TIGHTEN THE SCREW IN THE LOCK NUT.



 Hex screw M6x40*4pcs

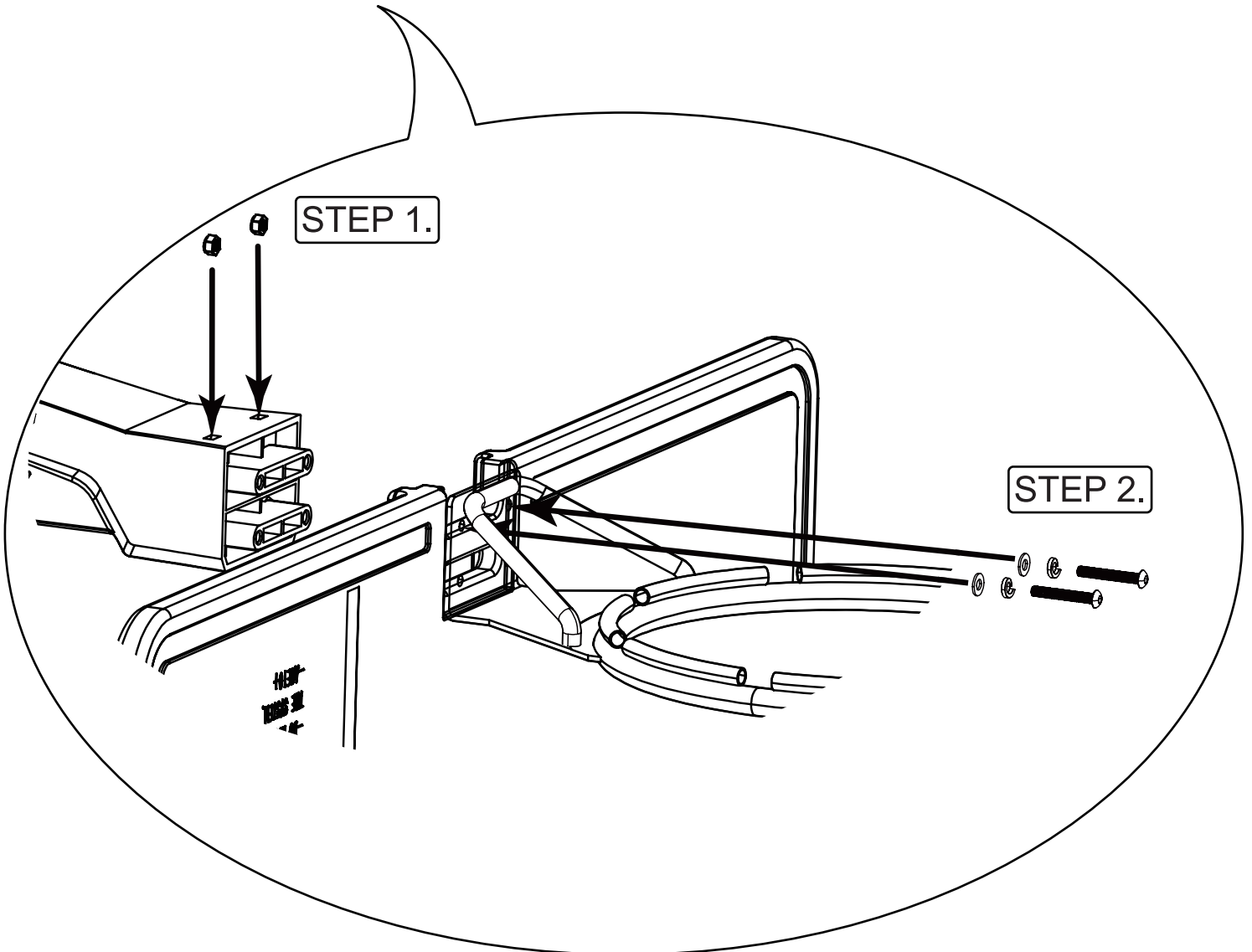
 Grover washer M6 *4pcs

 Washer 13x6.5x1*4pcs

 Nylon nut M6x1*4pcs





STEP 1.

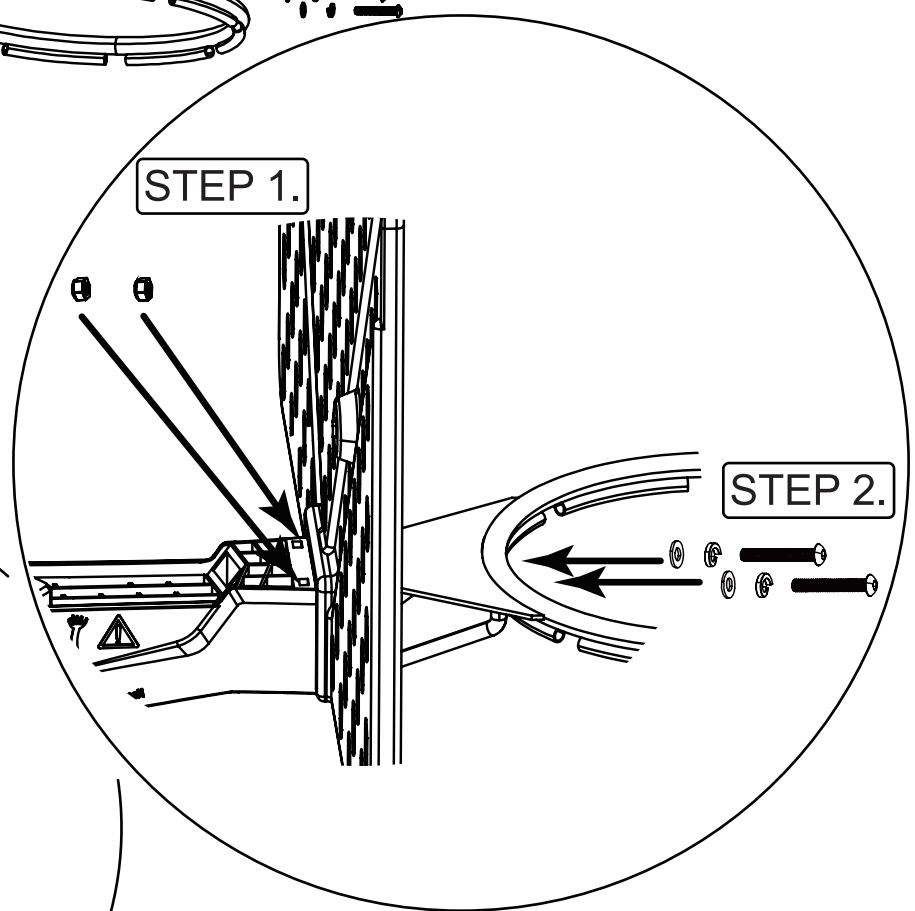
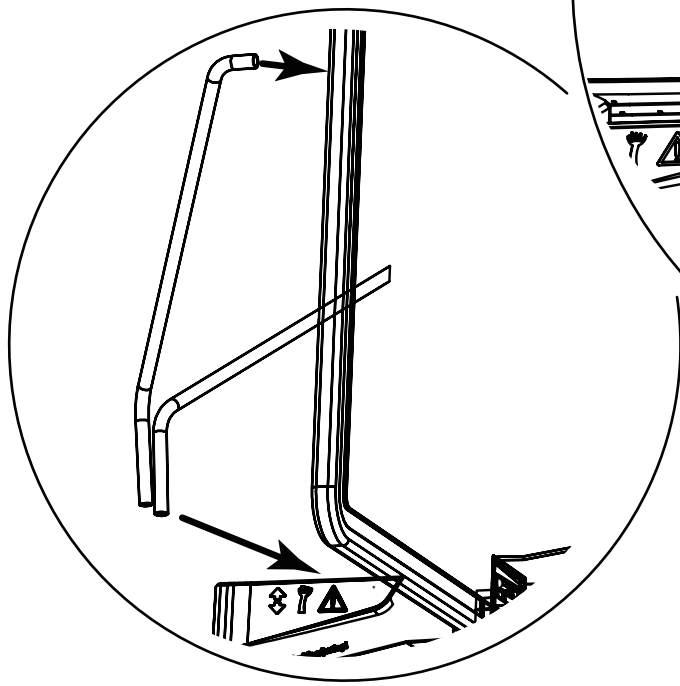
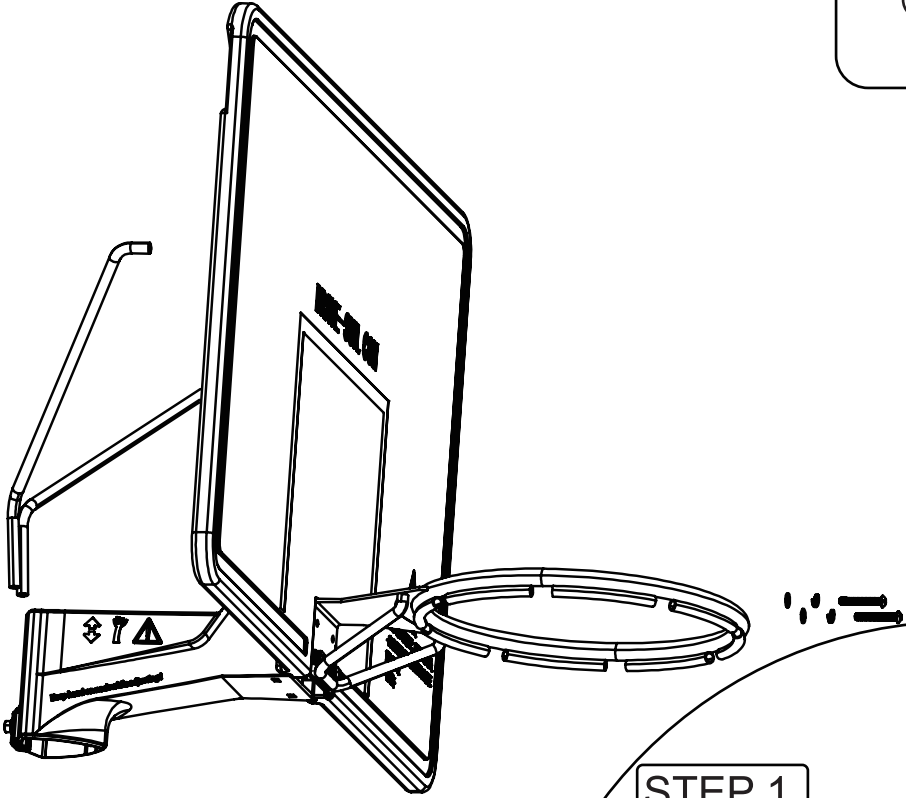
STEP 2.

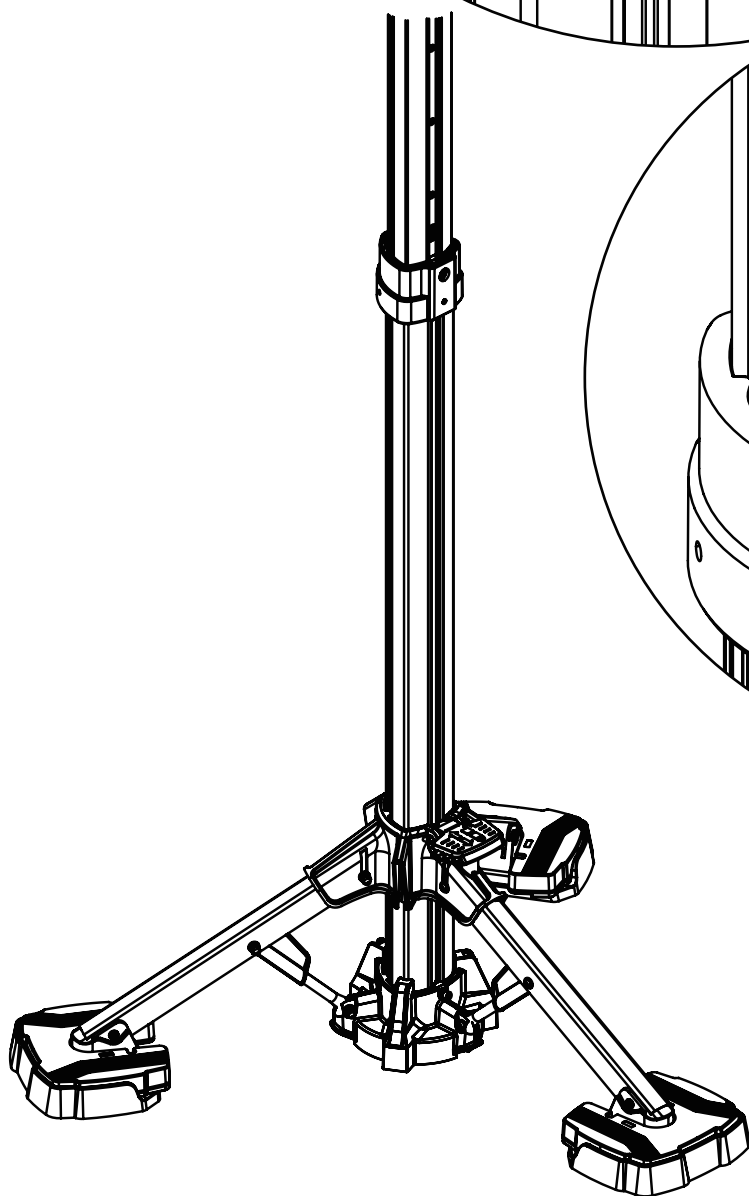
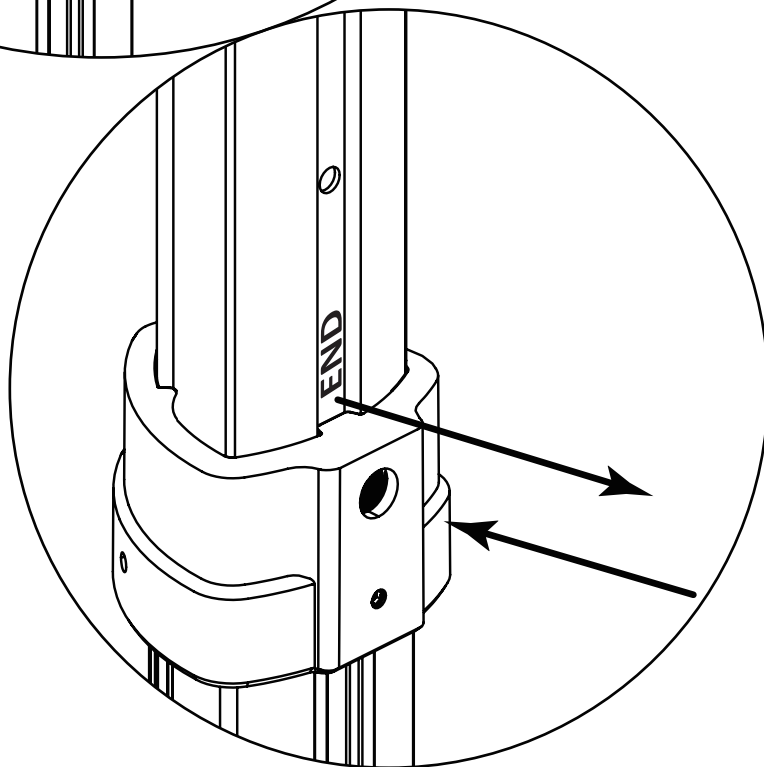
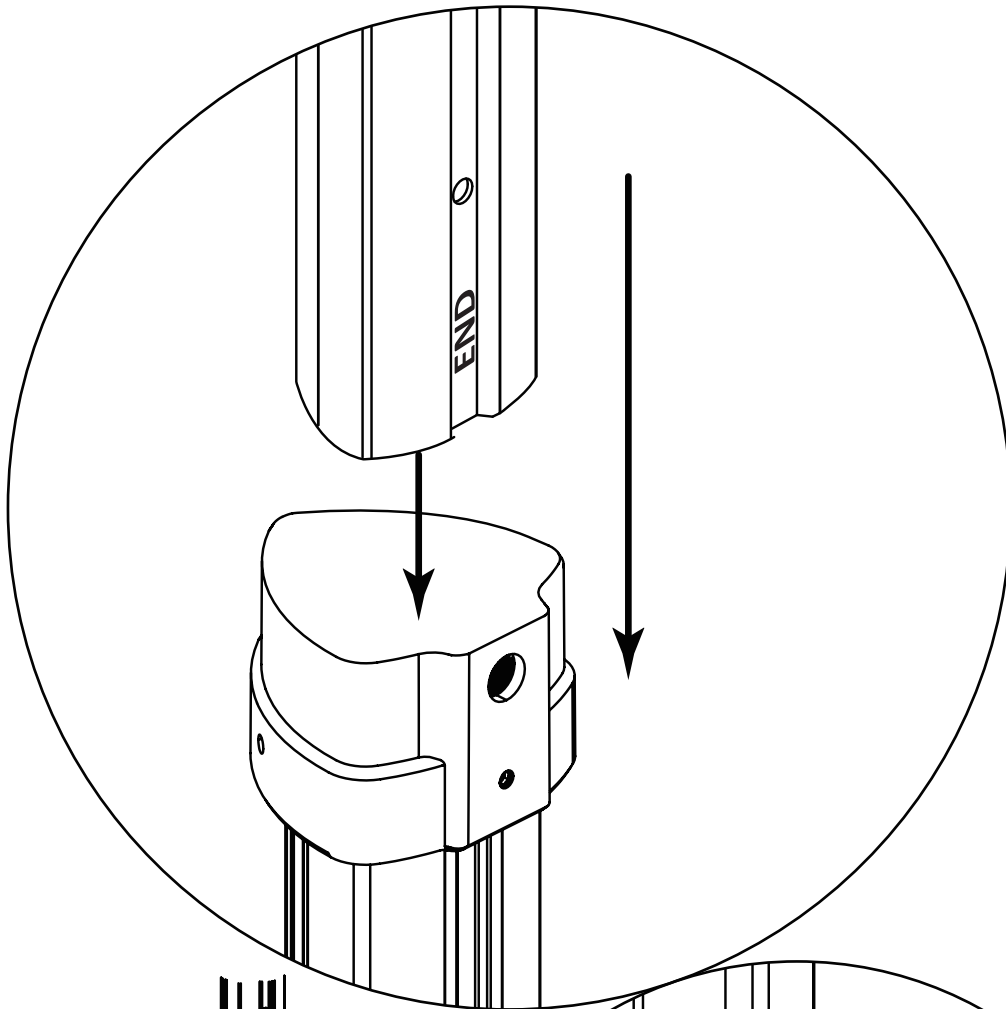


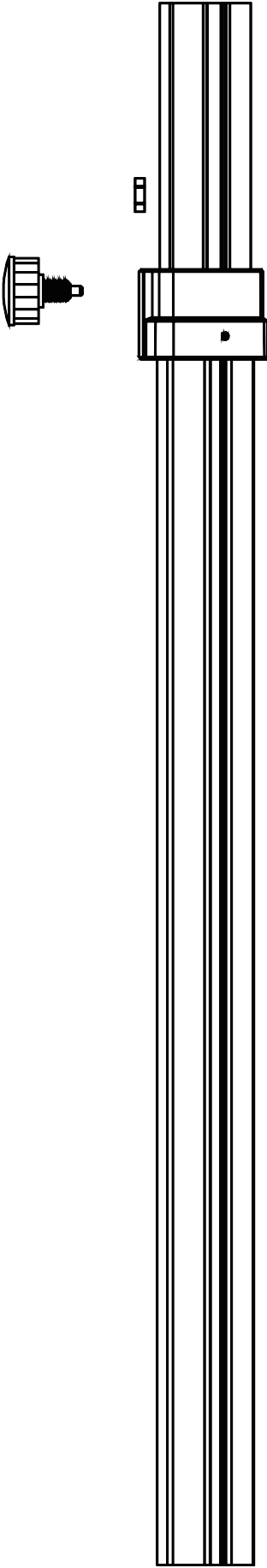
⚠ WARNING ⚠

TIGHTEN THE SCREW IN THE LOCK NUT.

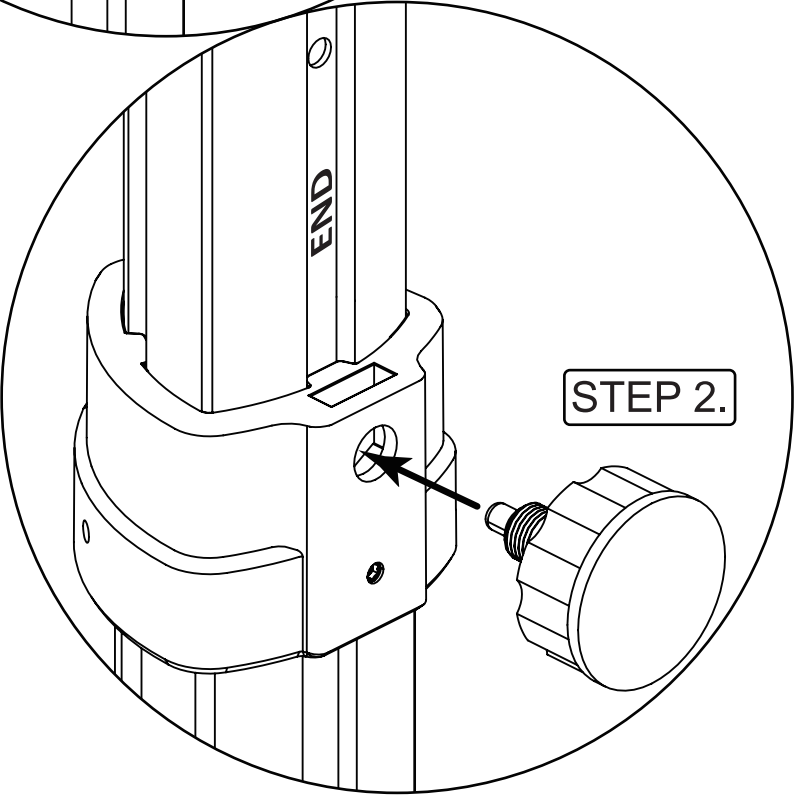
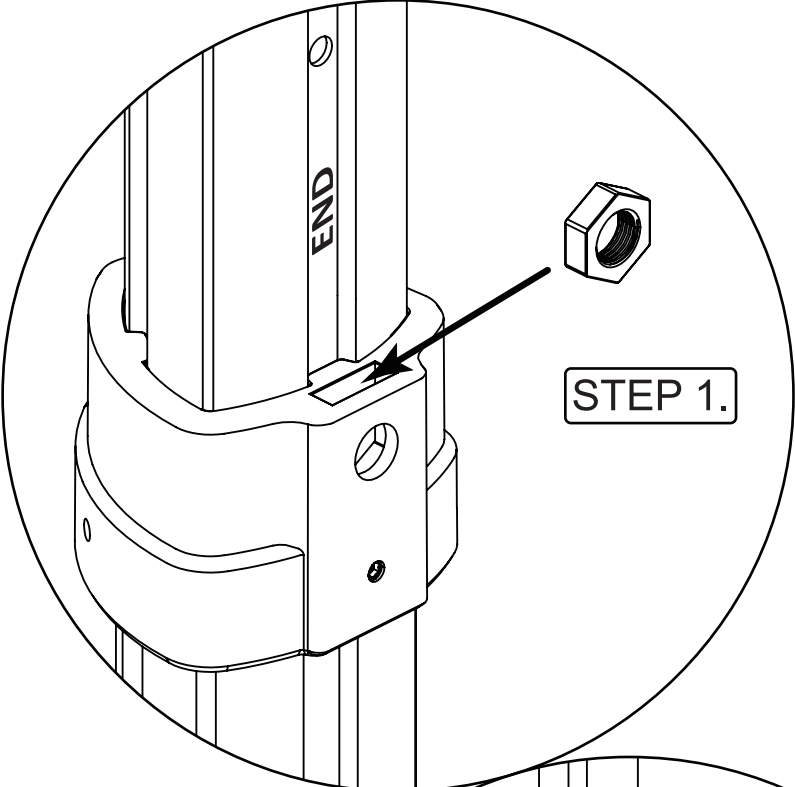
-  Hex screw M6x40*4pcs
-  Grower washer M6 *4pcs
-  Washer 13x6.5x1*4pcs
-  Nylon nut M6x1*4pcs

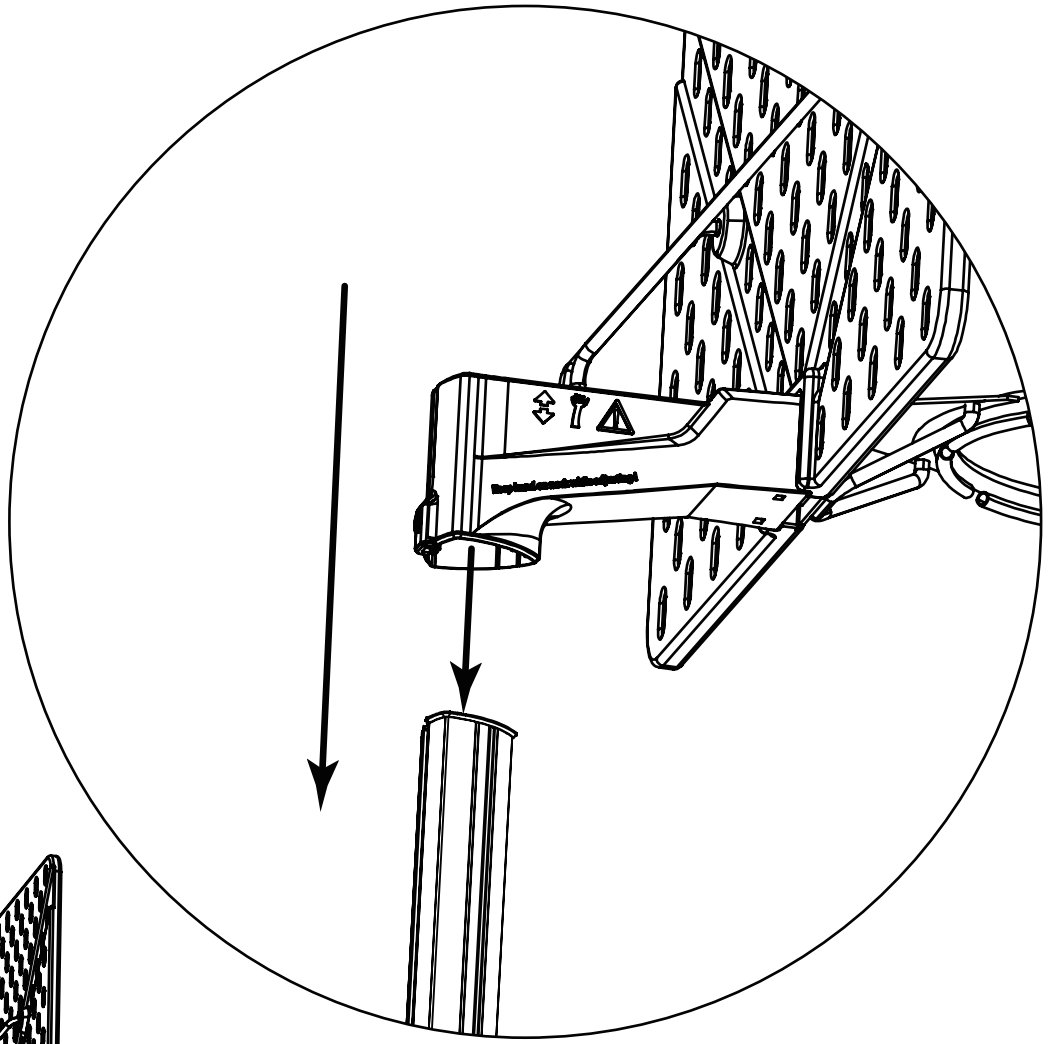
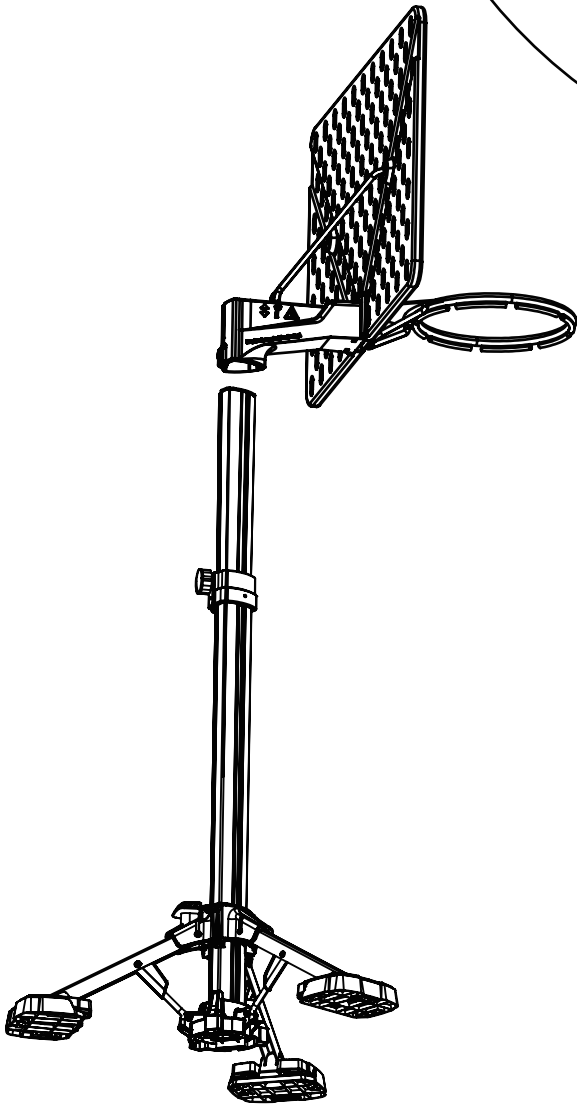






 Hex nut M16x1.5P *1pc





⚠ WARNING ⚠

TIGHTEN THE SCREW IN THE LOCK NUT.



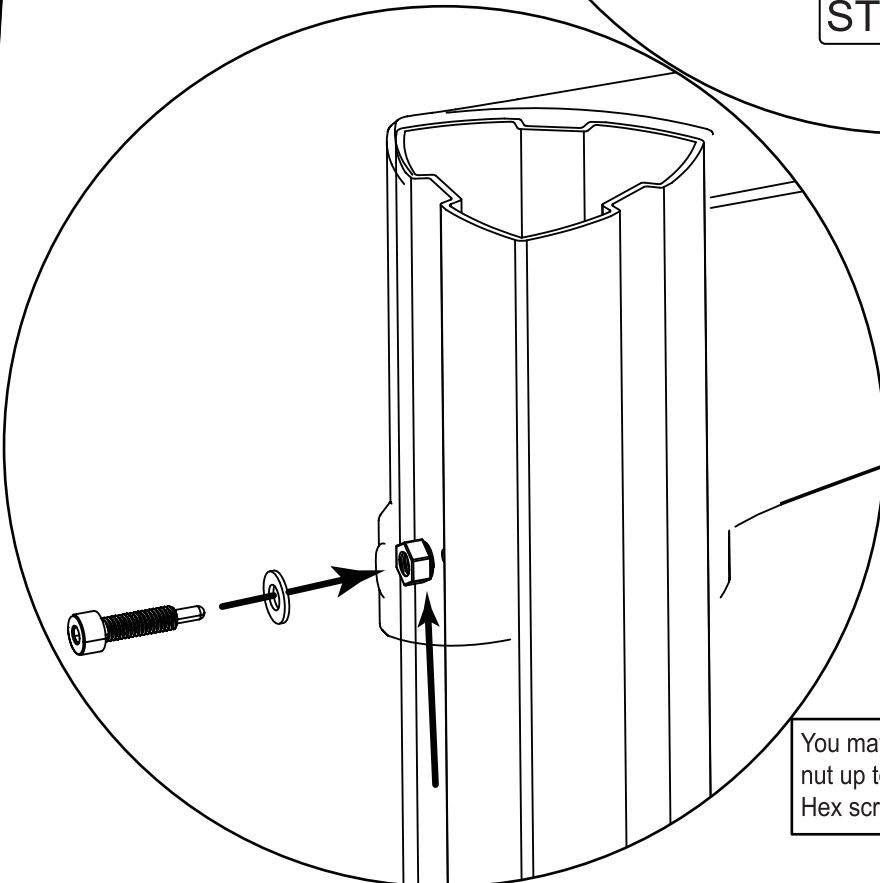
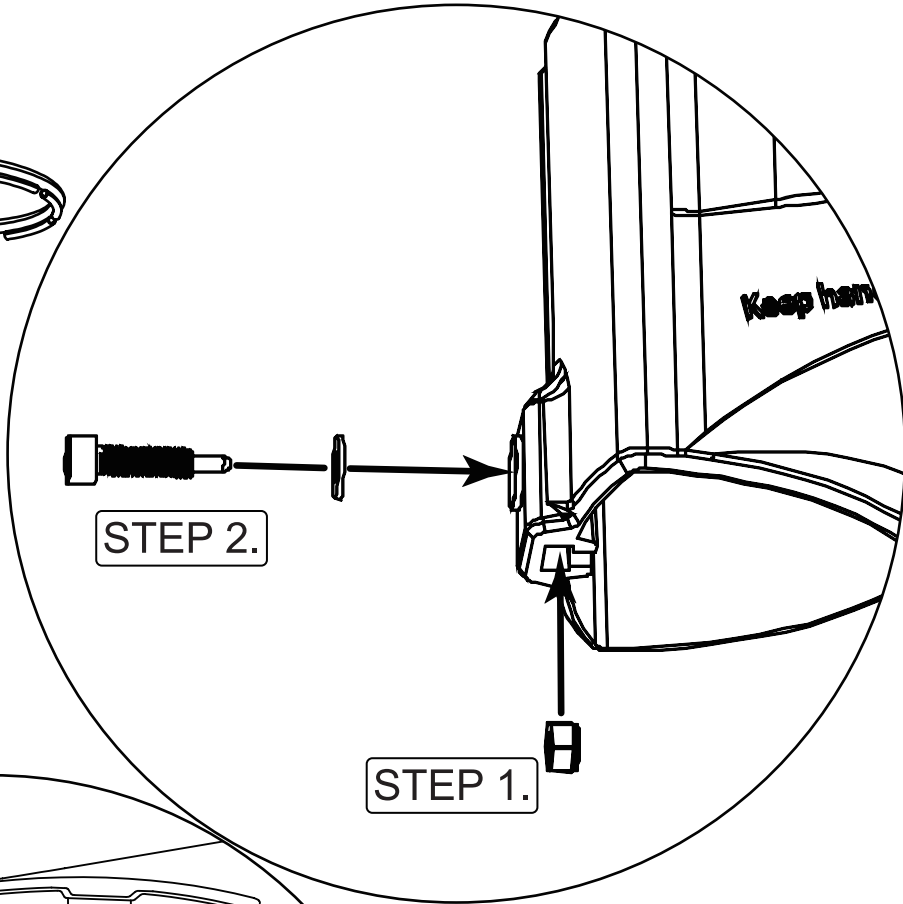
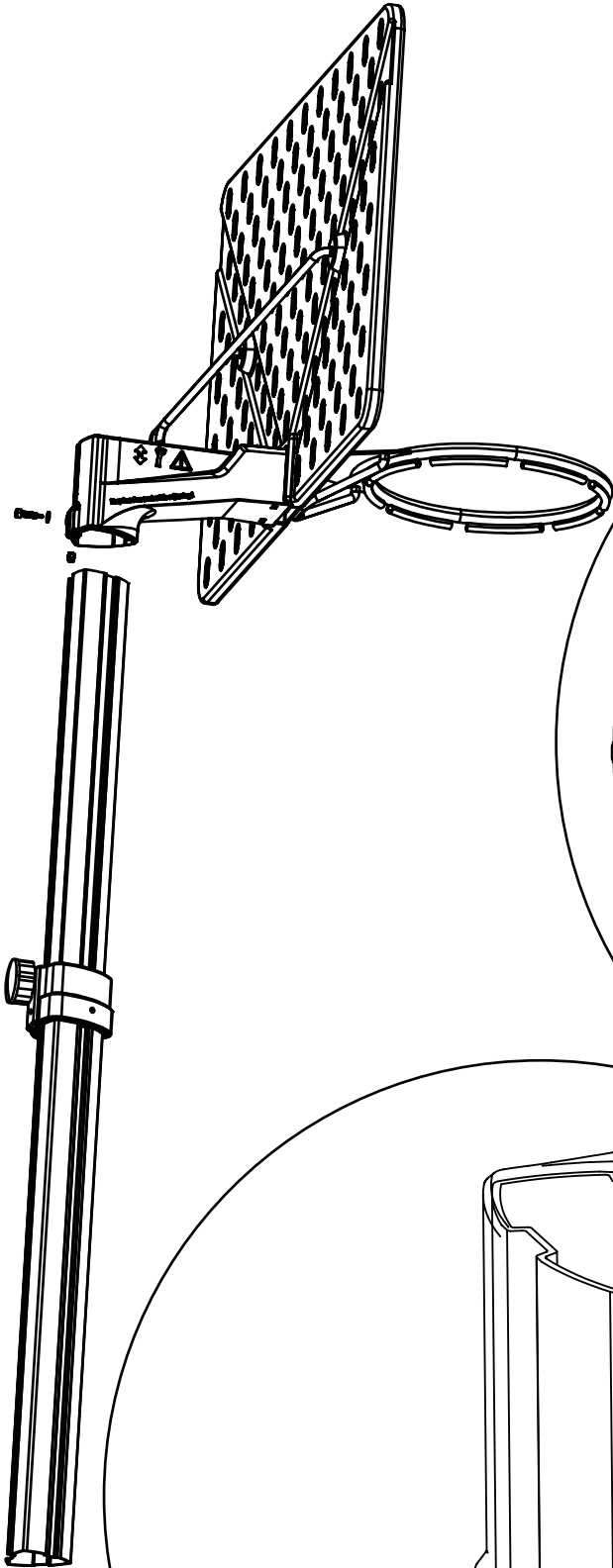
Hex screw M6x20 *1pc



Nylon nut M6x1 *1pc



Washer 13x6.5x1 *1pc



You may use a Hex wrench to push the nut up to the very end in order for the Hex screw to be properly screwed in.

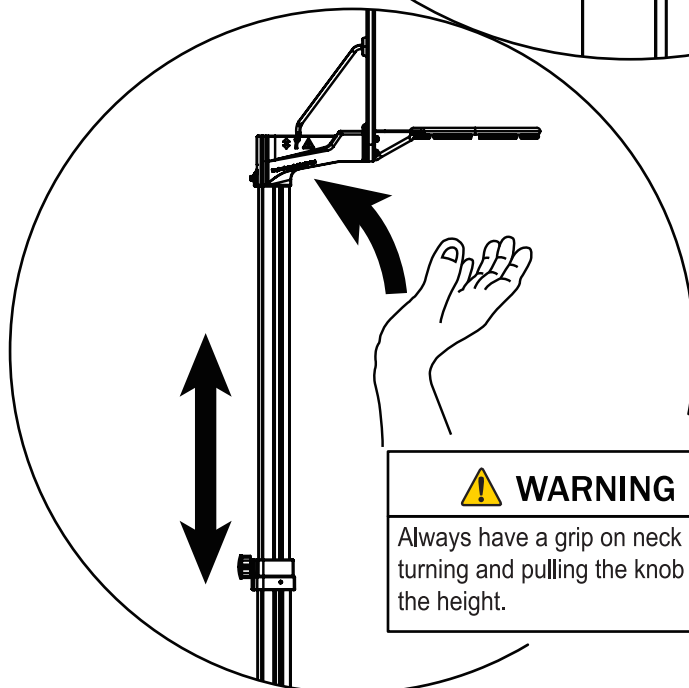
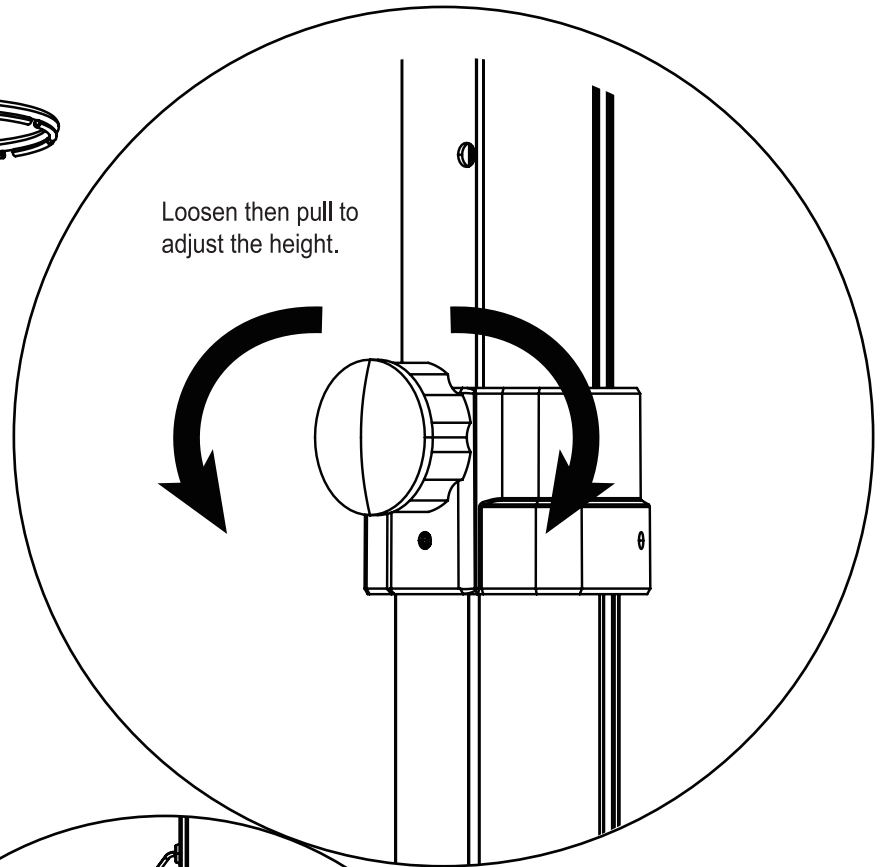
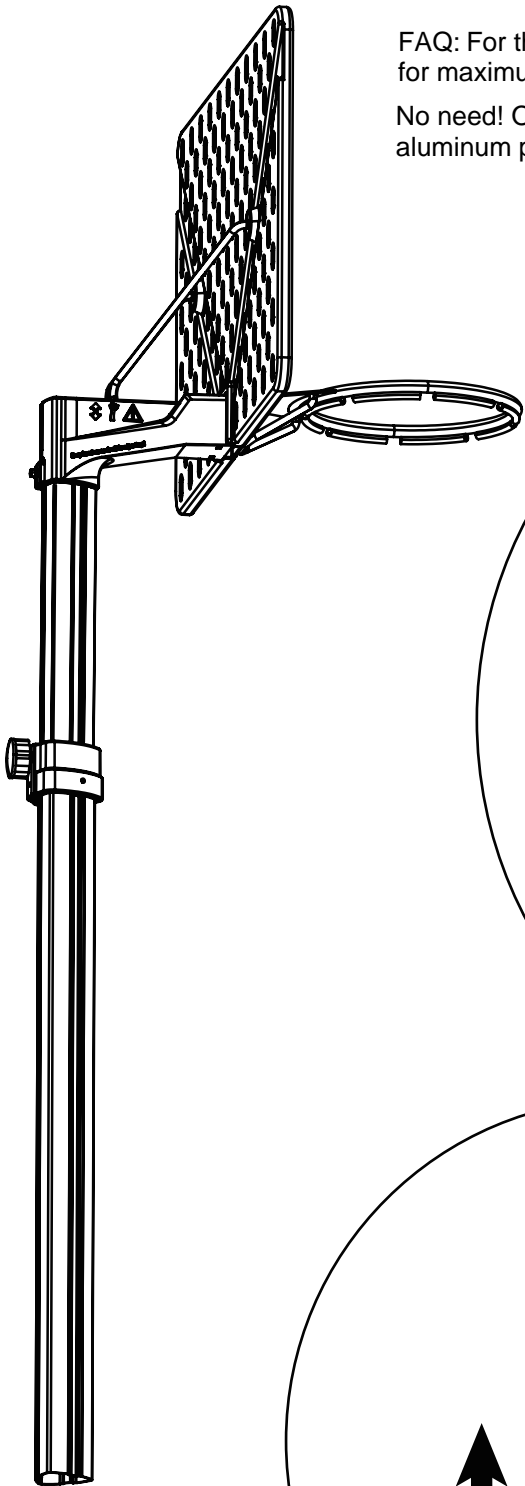
⚠ WARNING ⚠

For safety, do not touch the Hex (adjustment knob) without having a firm grip on the neck or inner pole.

Fully unscrewing or unscrewing the Hex too much may cause the Rim to drop, causing serious injury. To adjust height, loosen the Hex reasonably and pull the knob.

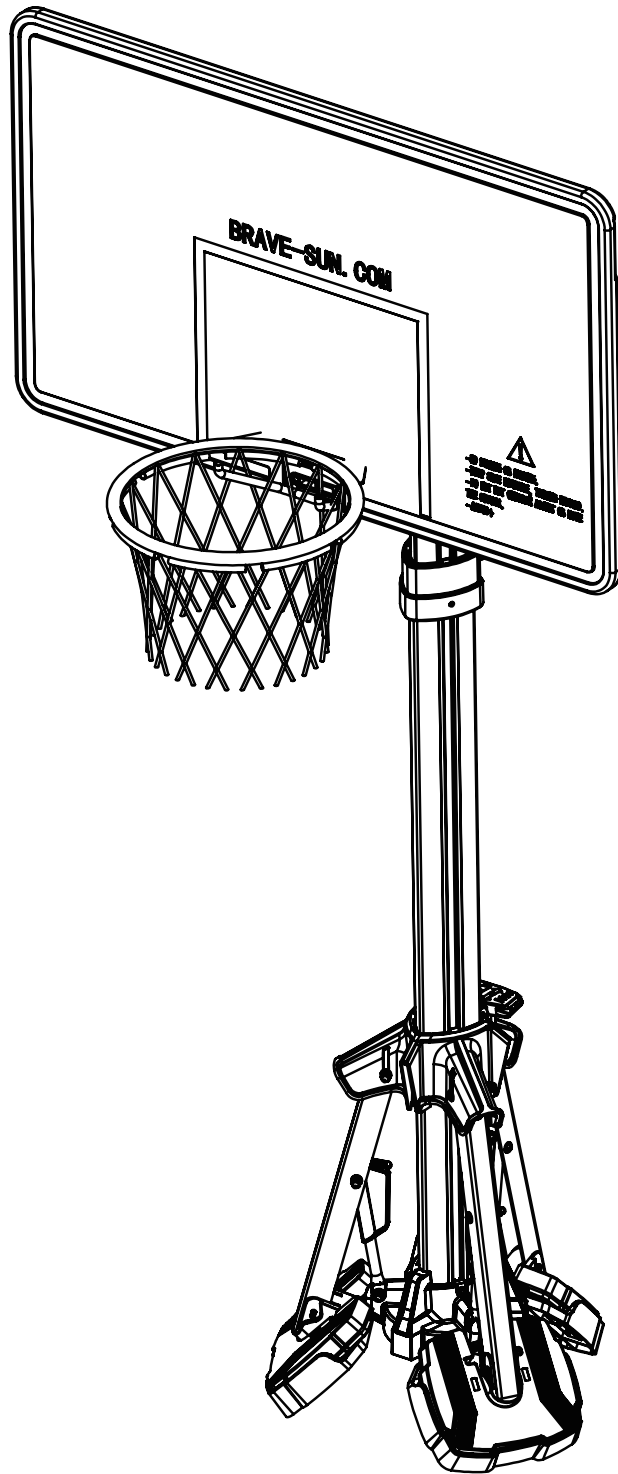
FAQ: For the height adjustment knob. Do I need to screw it all the way in for maximum tightness?

No need! Overtightening the knob can cause damage to the aluminum pole. Stop turning when you feel resistance.



⚠ WARNING ⚠

Always have a grip on neck before turning and pulling the knob to adjust the height.



Fully Retracted Mode

**Thank you for becoming
an owner of the
BRAVE-SUN HOME
BASKETBALL SYSTEM 1.0**